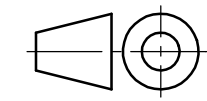


7- Pole Pin:

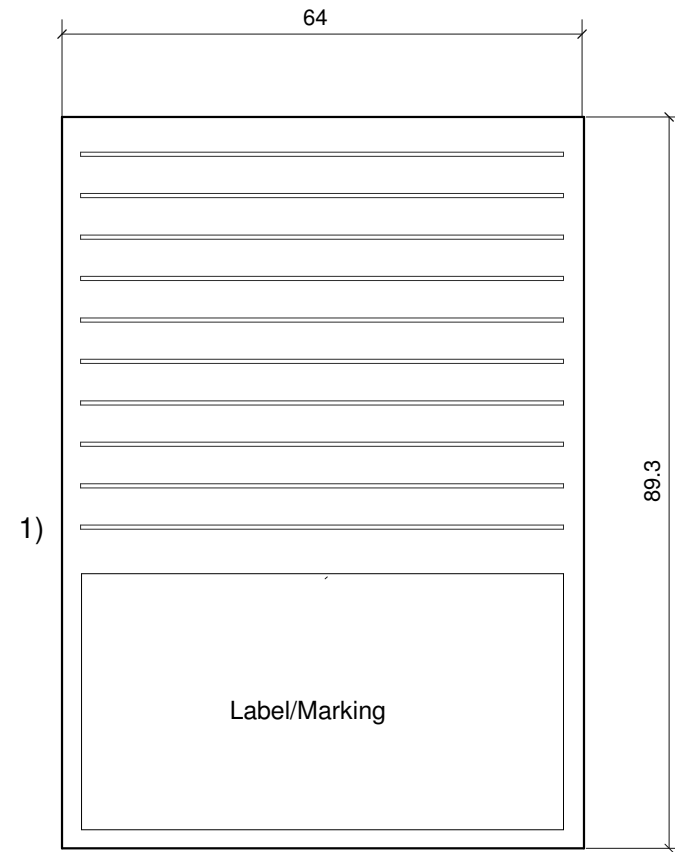
- 1- TTL Trigger Input (3-10V)
- 2- Ground/ GND/ Return
- 3- +5.00 VDC ($\pm 2\%$, 500mA)
- 4- Fault Signal Out, L=Fault
- 5- Synchronization I/O
- 6- N.C. / option only
- 7- N.C. / option only

Drawing (projection) according to DIN standards.
 All dimensions in mm and (inches).
 All data and dimensions subject to change without notice.

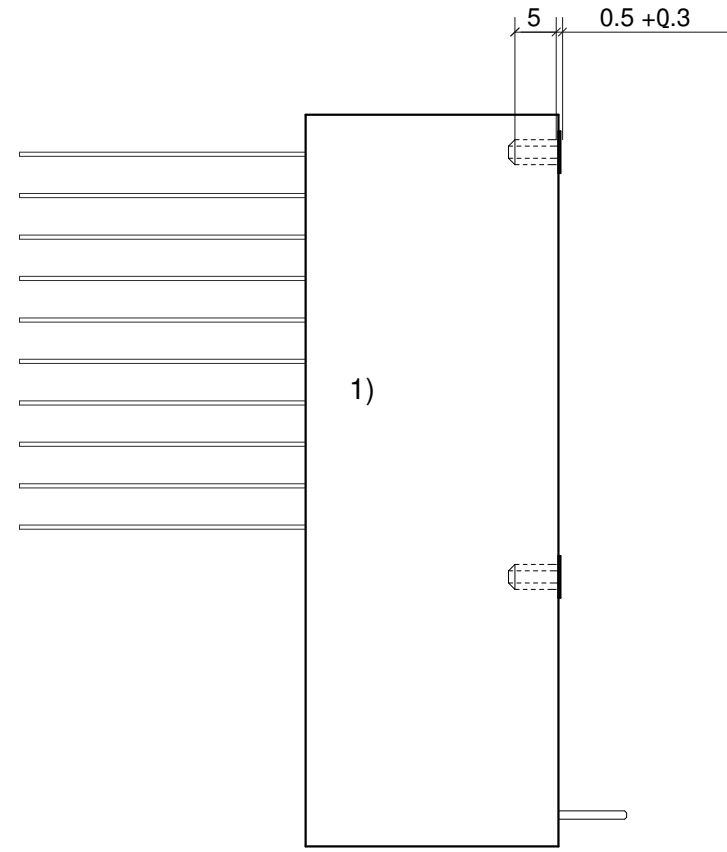


Modification	Date	Name	Drawn	GAL	HTS 80-500-SCR
			Verified		
			Date	02.05.2016	Options:
BEHLKE BEHLKE POWER ELECTRONICS GMBH Am Auernberg 4, 61476 Kronberg - Germany HIGH-TECH IN HIGH VOLTAGE Phone +49 (0) 6173-9290-20, www.behlke.com					Drawing:
					Sheet: 1 / 1

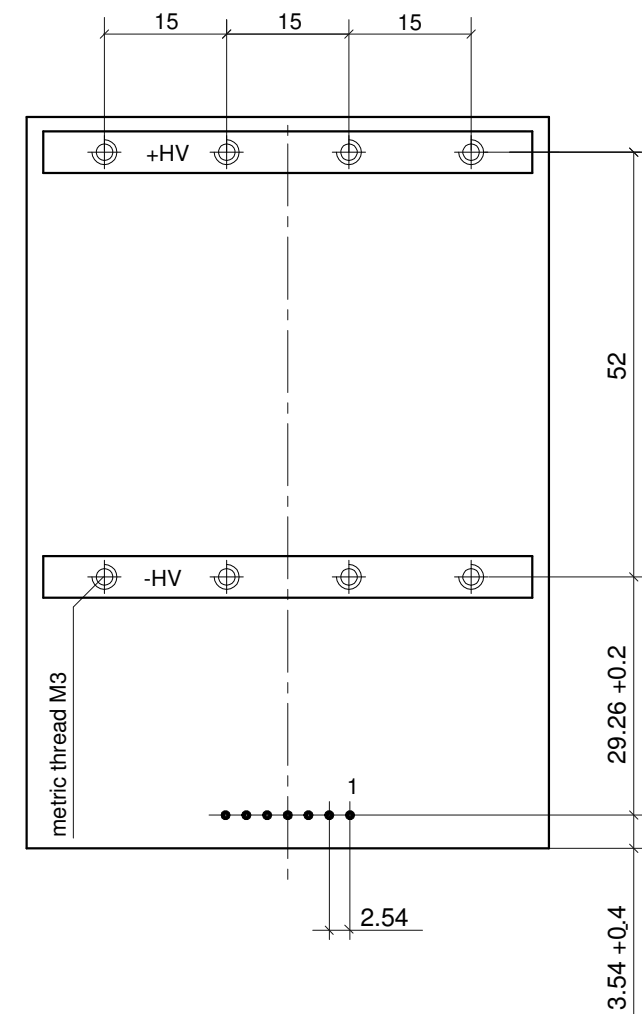
Top View



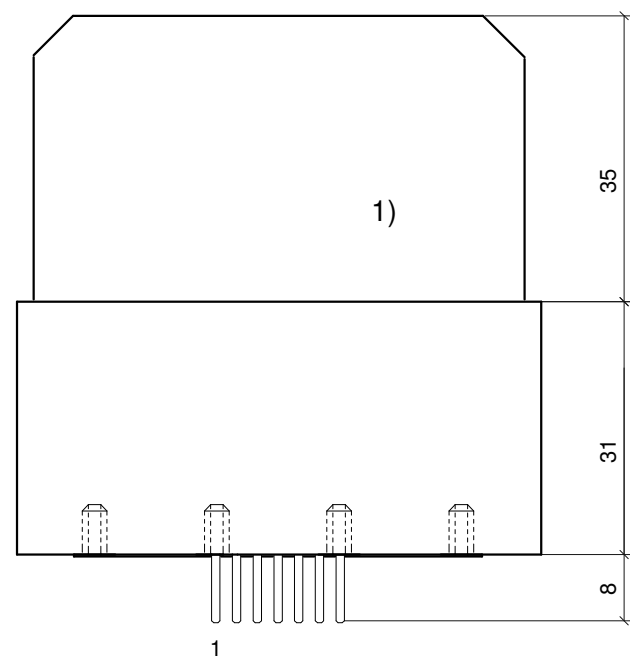
Side View



Bottom View



Front View



NOTE:

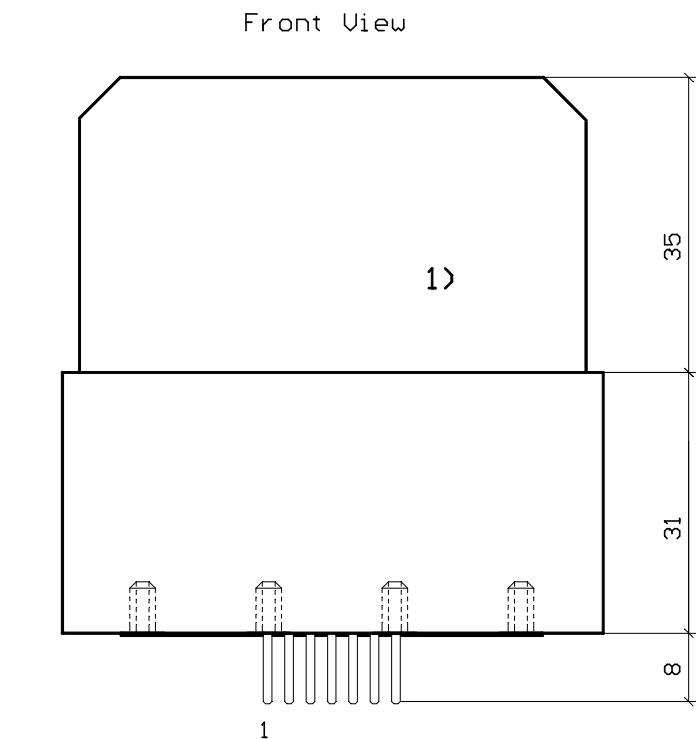
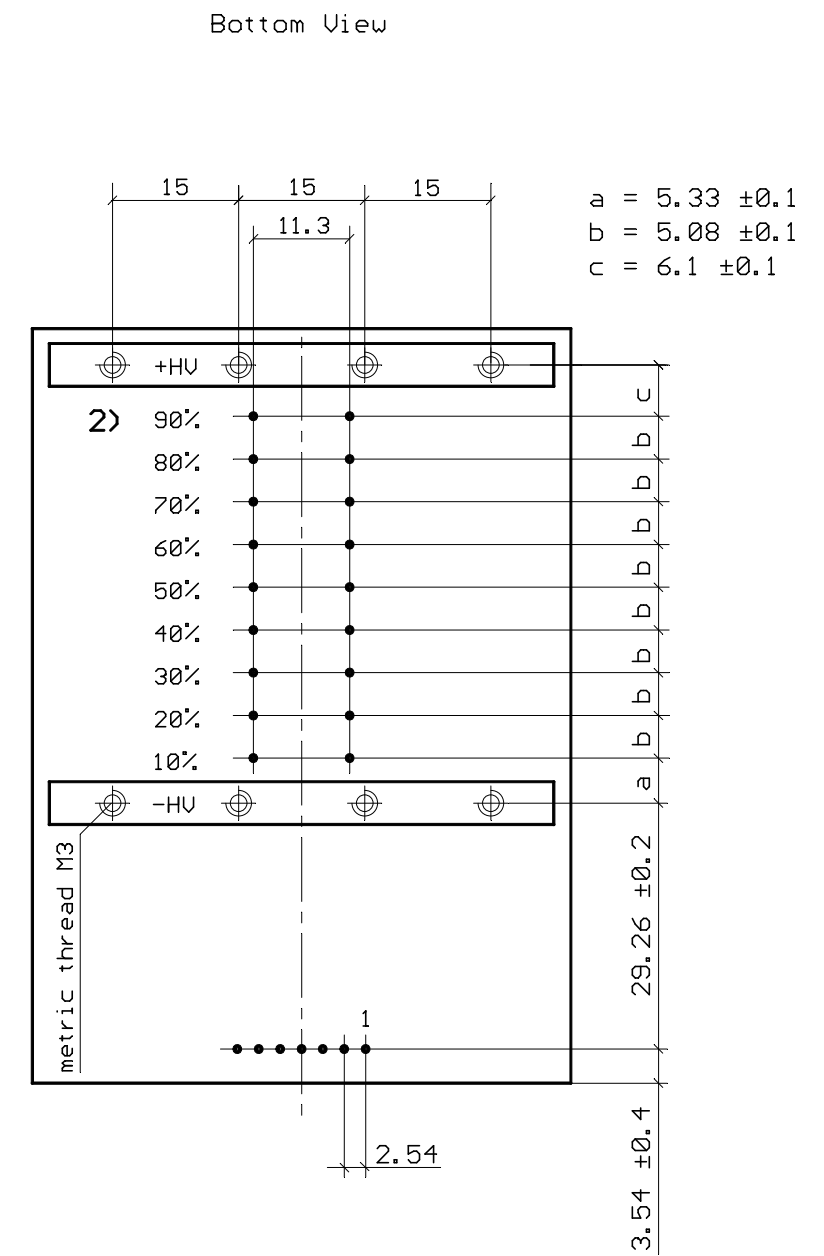
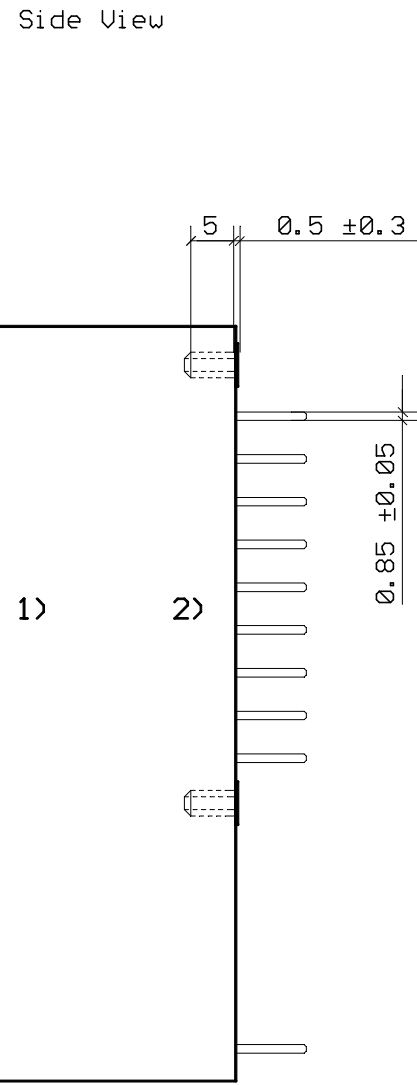
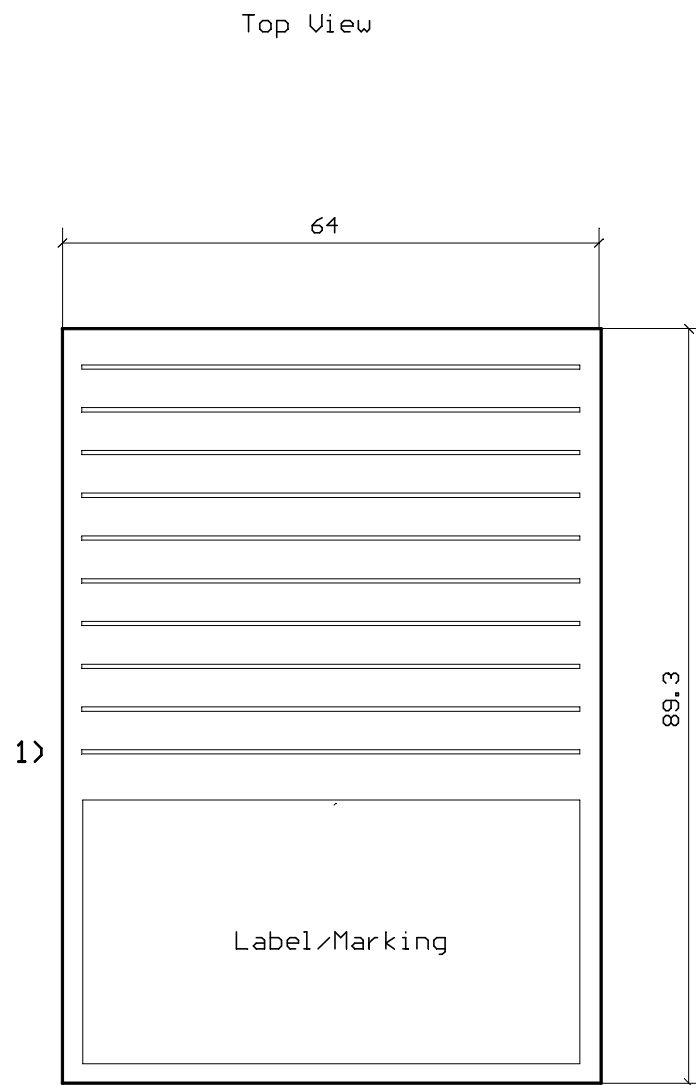
1) Cooling fins are installed only in connection with option CF.
Drawing shows standard fins only. Other fin sizes on request.
Caution: Fins are on high voltage potential and must not be shorted or grounded!

Dimensions in mm.

All data subject to change without notice.

- 1 - TTL Trigger In
- 2 - GND
- 3 - +5.00 VDC +5% .
- 4 - Fault Signal Out
- 5 - Synchronization I/O
- 6 - N.C. / option only
- 7 - N.C. / option only

Änder.	Datum	Name			HTS 80-500-SCR HTS 40-1000-SCR Option CF
			Gez.	FB	
			Datum	15.09.00	
			Gepr.	HP	
			Datum	18.09.00	
BEHLKE ELECTRONIC GMBH Am Auernberg 4, 61476 Kronberg, Germany					80-500-SCR_Mech Blatt: 1/2



NOTES:

- 1) Cooling fins are installed only in connection with option 04. Drawing shows standard fins only. Other fin sizes on request. Caution: Fins are on high voltage potential and must not be shorted or grounded!
- 2) Pins marked with % are only present in connection with the stage tapping option (option 05). Drawing shows the position of all possible tappings, but not the pin situation of a customized module with less tappings than technically possible.

- 1 - TTL Trigger In
- 2 - GND
- 3 - +5.00 VDC ±5%
- 4 - Fault Signal Out
- 5 - Synchronization I/O
- 6 - N.C. / option only
- 7 - N.C. / option only

Dimensions in mm.
All data subject to change without notice.

Änder.	Datum	Name			HTS 80-500-SCR HTS 40-1000-SCR + option 04 + option 05
			Gez.	FB	
			Datum	15.09.00	
			Gepr.	HP	
			Datum	18.09.00	
			BEHLKE ELECTRONIC GMBH		80-500-SCR_Mech
			Am Auernberg 4, 61476 Kronberg, Germany		Blatt: 1/2