

Thyristor stack

Electrical Characteristics						
Symbol	Conditions		min	typ	max	Unit
Electrical Data						
I_D	Maximum DC current	$T_{amb} = 35^\circ\text{C}$; No overload		365		A
V_{AC}	Maximum AC voltage (+/-10%)			500		V_{AC}
V_{BUS}	DC Bus voltage			670		V_{DC}
P_{TOTAL}	Maximum stack power			245		kW
P_{LOSS}	Stack power loss ($T_{AMBIENT} = 35^\circ\text{C}$)					W

Environmental Data						
Symbol	Conditions		min	typ	max	Unit
Mechanical Data						
Drawing	SEMIKRON document number.revision.version			12100522.00.B		-
Weight	Approximate total weight			13,1		kg
Altitude	Installation altitude without derating				1 000	m
Protection	IEC 60529			IP00		-
Pollution Degree	EN 50178			2		-

Fan Data						
Type	SEMIKRON fan designation			SKF 16A-230-11		-
V_{FAN}	Fan voltage			230		V_{AC}
f_{FAN}	Fan frequency			50/60		Hz
I_{FAN}	Fan maximum input current			0.60/0.68		A
P_{FAN}	Fan power			135/154		W

Stack Protection						
Symbol	Conditions		min	typ	max	Unit
RC Circuit						
Type	RC in parallel with each electrical switch			RC47		-
R	Resistance (11W)			47		Ohm
C				0.22		μF

Fuses						
Size	1 fuse per phase, with microswitches			30		-
$I_{N\text{RMS}}$	Caliber			400		A
U_N	Nominal voltage (IEC)			690		V
I^2t	Total at U_N at room temperature (approx. 20...25°C)				126	kA^2s

Bimetal Thermal Trip						
T_S	Switching temperature over which thermal trip is open			75		$^\circ\text{C}$
$I_{TC\text{ MAX}}$	Maximum permissible current		at 240VAc	1		A
			at 30Vdc	3		A

SEMISTACK® CLASSICS - B6C

Three phase controlled rectifier

Preliminary Data

Ordering No. 08785025
Description SKS 365F B6C 245 V16 SU

Features

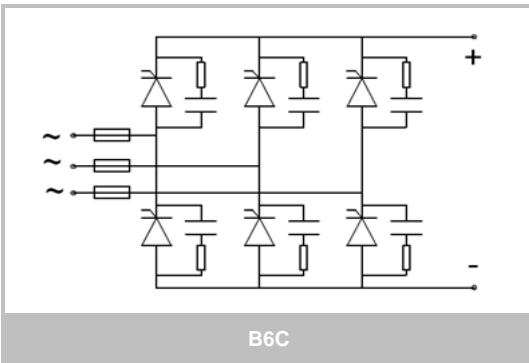
- Isolated power stacks
- SKKT 162/16
- Heatsink P16/200 SPack2
- Forced air cooling
- RC circuit included
- Fuses with microswitches
- Thermal trip included

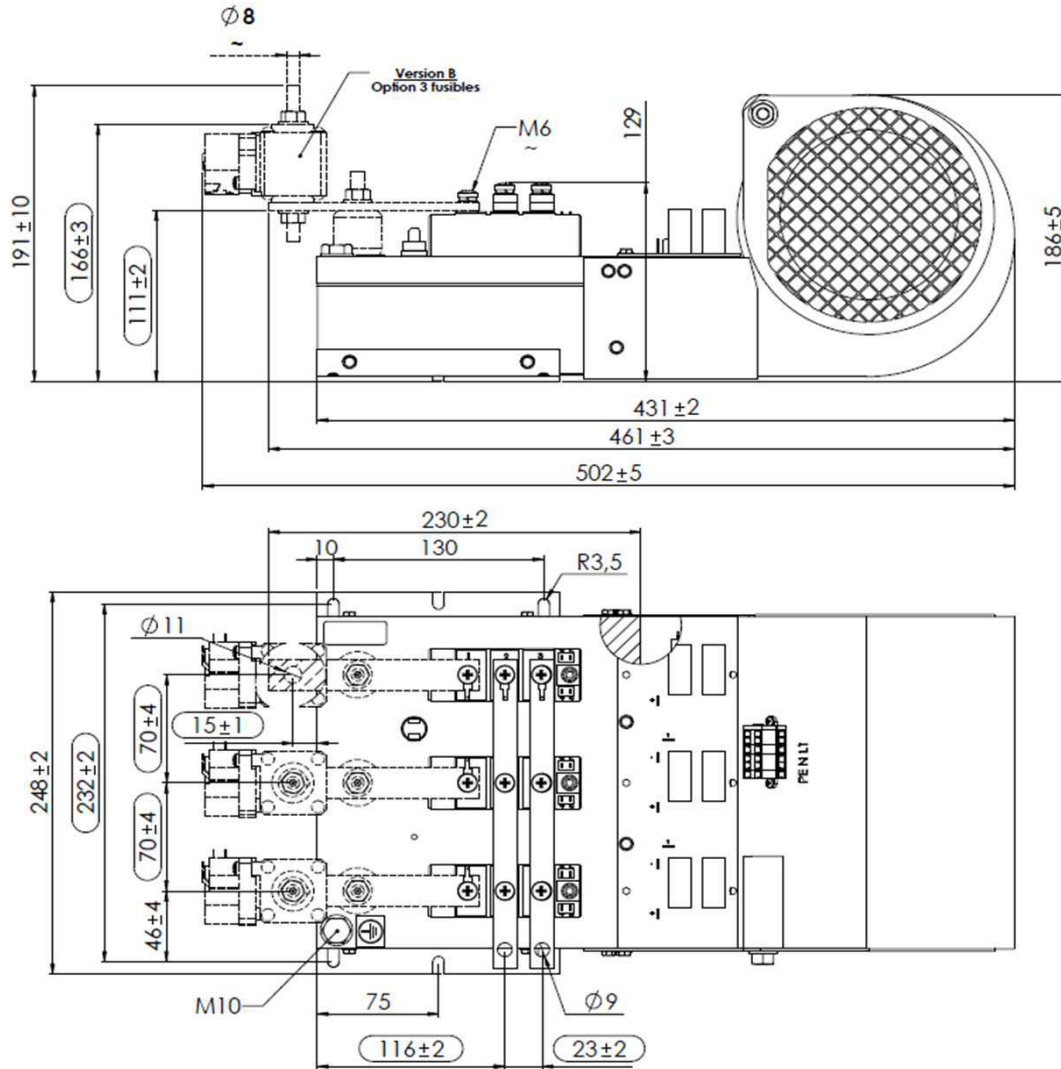
Typical Applications

- Regulated power supplies
- Alternator excitation
- Motor control

Remarks

This technical information specifies semiconductor devices but promises no characteristics. No warranty or guarantee, expressed or implied, is made regarding delivery, performance or suitability.





Dimensions

This technical information specifies semiconductor devices but promises no characteristics. No warranty or guarantee expressed or implied is made regarding delivery, performance or suitability.