

Diode Module stack

Electrical Characteristics						
Symbol	Conditions		min	typ	max	Unit
Electrical Data						
I_D	Maximum DC current	$T_{AMBIENT} = 35^{\circ}C$; No overload		850		A
V_{AC}	Maximum AC voltage (+/-10%)			500		V_{AC}
V_{BUS}	DC Bus voltage			670		V_{DC}
P_{TOTAL}	Maximum stack power			570		kW
P_{LOSS}	Stack power loss ($T_{AMBIENT} = 35^{\circ}C$)					W

Environmental Data						
Symbol	Conditions		min	typ	max	Unit
Mechanical Data						
Drawing	SEMIKRON document number.revision.version			12101202.00		-
Weight	Approximate total weight			14.1		kg
Altitude	Installation altitude without derating				1 000	m
Protection	IEC 60529			IP00		-
Pollution degree	EN 50178			2		-

Fan Data						
Type	SEMIKRON fan designation			SKF 16A-230-11		-
V_{FAN}	Fan voltage			230		V_{AC}
f_{FAN}	Fan frequency			50/60		Hz
I_{FAN}	Fan maximum input current			0.60/0.68		A
P_{FAN}	Fan power			135/154		W

Stack Protection						
Symbol	Conditions		min	typ	max	Unit
RC Circuit						
Type	RC in parallel with bridge rectifier			1/6 RC47		-
R	Resistance (11W)			47		Ohm
C				0.22		μF

Bimetal Thermal Trip						
T_S	Switching temperature over which thermal trip is open			95		$^{\circ}C$
$I_{TC MAX}$	Maximum permissible current			1		A
	at 30Vdc			3		A

SEMISTACK® CLASSICS - B6U

Three phase uncontrolled rectifier

Preliminary Data

Ordering No. 08785118
Description SKS 850F B6U 570 V16

Features

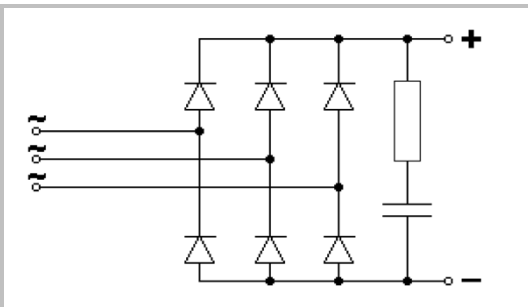
- Isolated power stacks
- SKKD 380/16
- Heatsink P16/200
- Forced air cooling
- RC circuit included
- Thermal trip included

Typical Applications

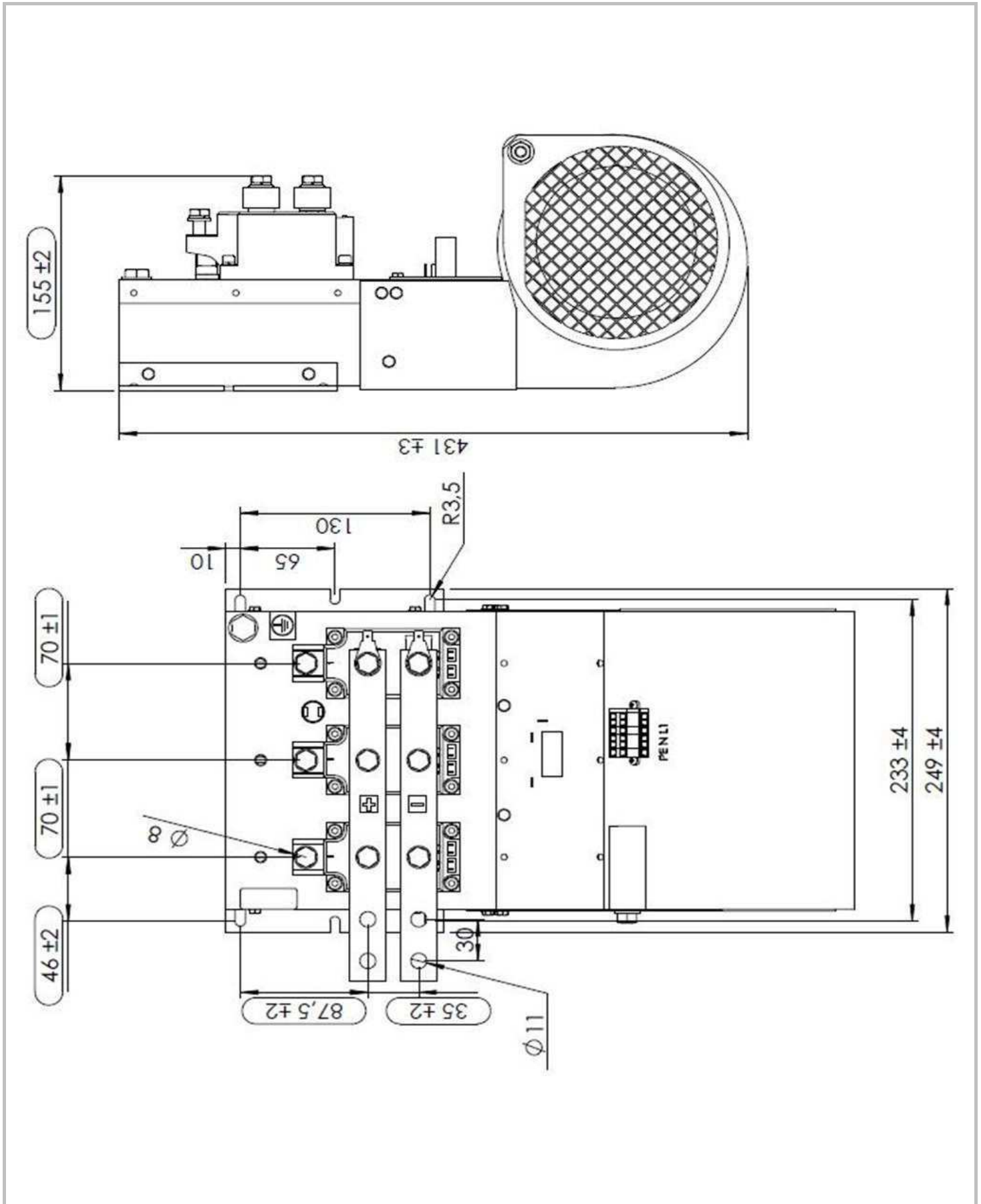
- Power supplies
- Rectifier for AC/DC motor control

Remarks

This technical information specifies semiconductor devices but promises no characteristics. No warranty or guarantee, expressed or implied, is made regarding delivery, performance or suitability.



B6U



Dimensions

This technical information specifies semiconductor devices but promises no characteristics. No warranty or guarantee expressed or implied is made regarding delivery, performance or suitability.