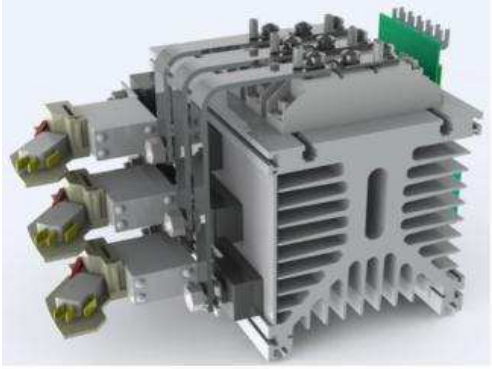


SKS 67N W3C 60 V16 SU



Thyristor Module stack

Electrical Characteristics						
Symbol	Conditions		min	typ	max	Unit
Electrical Data						
I_{OUT}	Maximum output current	$T_{AMBIENT} = 45^{\circ}C$; No overload		67		A_{RMS}
V_{AC}	Maximum AC voltage (+/-10%)			500		V_{AC}
P_{TOTAL}	Maximum stack power			60		kW
P_{LOSS}	Stack power loss ($T_{AMBIENT} = 45^{\circ}C$)					W

Environmental Data						
Symbol	Conditions		min	typ	max	Unit
Mechanical Data						
Drawing	SEMIKRON document number.revision.version			12100952.00		-
Weight	Approximate total weight			3.7		kg
Altitude	Installation altitude without derating				1 000	m
Protection	IEC 60529			IP00		-
Pollution Degree	EN 50178			2		-

SEMISTACK® CLASSICS - W3C

Three phase reverse parallel thyristor converter

Preliminary Data

Ordering No. 08785231
Description SKS 67N W3C 60 V16 SU

Features

- Isolated power stacks
- SKKT 106/16
- Heatsink P3/180
- Natural cooling
- RC circuit included
- Fuses with microswitches

Typical Applications

- Soft starters

Remarks

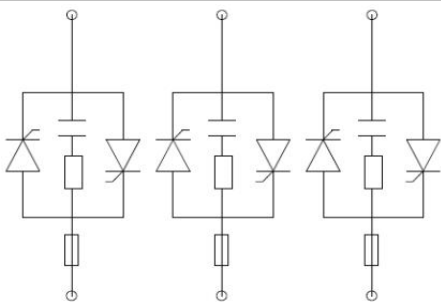
This technical information specifies semiconductor devices but promises no characteristics. No warranty or guarantee, expressed or implied, is made regarding delivery, performance or suitability.

Stack Protection

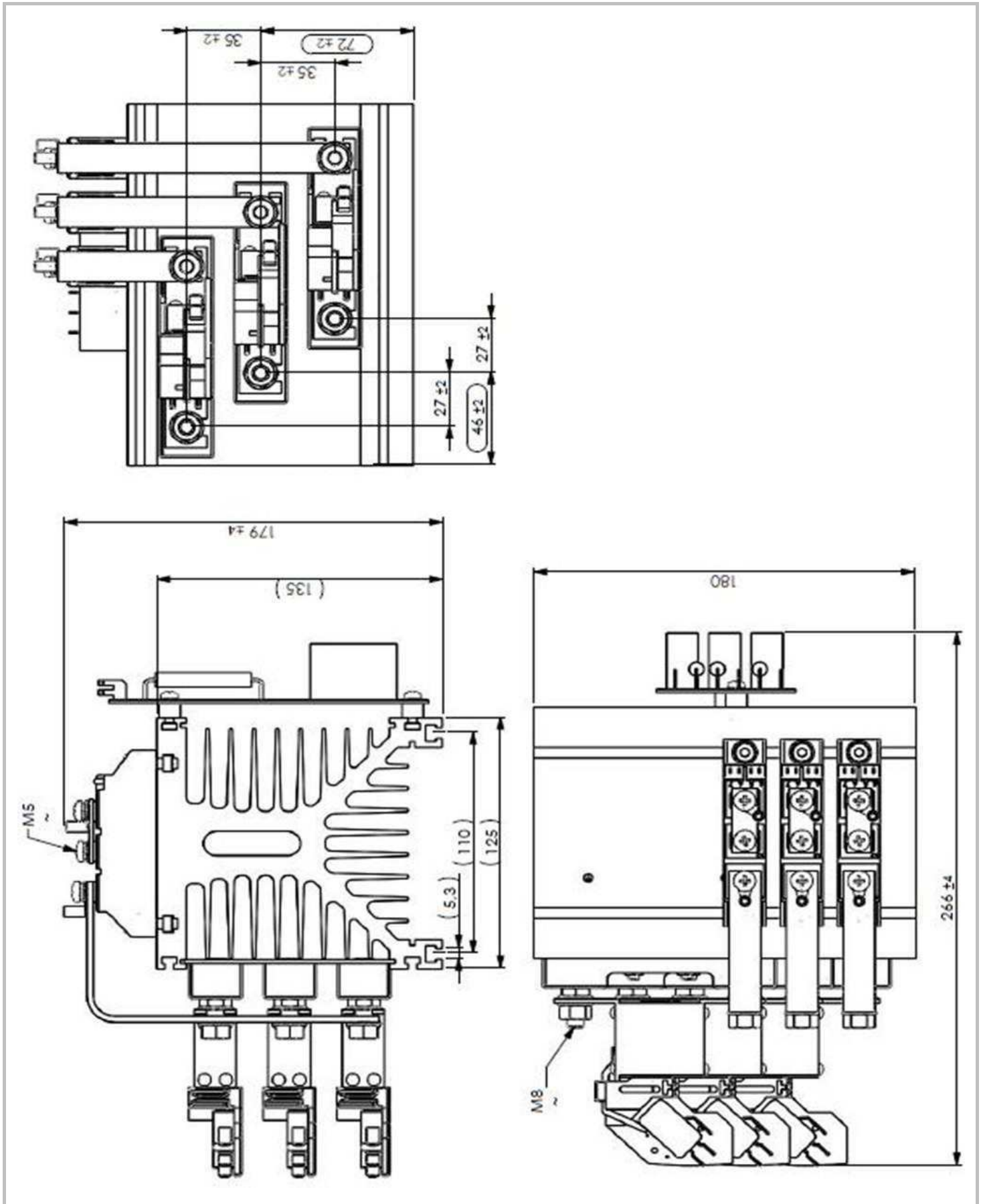
Symbol	Conditions		min	typ	max	Unit
RC Circuit						
Type	RC in parallel with each switch			RC25B		-
R	Resistance (10W)			68		Ohm
C				0.1		μF

Fuses

Size	1 fuse per phase, with microswitches		000		-
$I_{N RMS}$	Caliber		160		A
U_N	Nominal voltage (IEC)	690			V
I^2t	Total at U_N at room temperature (approx. 20...25°C)			17.44	kA^2s



W3C



Dimensions

This technical information specifies semiconductor devices but promises no characteristics. No warranty or guarantee expressed or implied is made regarding delivery, performance or suitability.