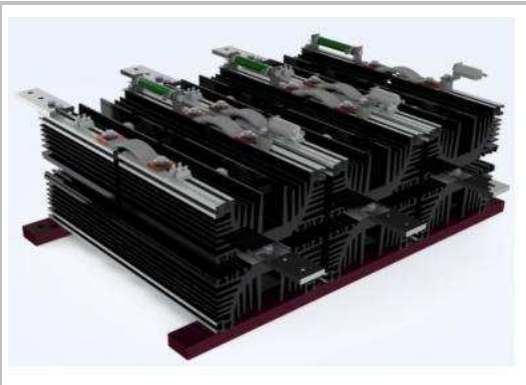


SKS 650N W3C 560 V16



Thyristor Presspack stack

Electrical Characteristics						
Symbol	Conditions		min	typ	max	Unit
Electrical Data						
I_{OUT}	Maximum output current	$T_{AMBIENT} = 45^{\circ}C$; No overload		650		A_{RMS}
V_{AC}	Maximum AC voltage (+/-10%)			500		V_{AC}
P_{TOTAL}	Maximum stack power			560		kW
P_{LOSS}	Stack power loss ($T_{AMBIENT} = 45^{\circ}C$)					W

Environmental Data						
Symbol	Conditions		min	typ	max	Unit
Mechanical Data						
Drawing	SEMIKRON document number.revision.version			12051102.00		-
Weight	Approximate total weight			101.2		kg
Altitude	Installation altitude without derating				1 000	m
Protection	IEC 60529			IP00		-
Pollution Degree	EN 50178			2		-

SEMISTACK® CLASSICS - W3C

Three phase reverse parallel thyristor converter

Preliminary Data

Ordering No. 08785210
Description SKS 650N W3C 560 V16

Features

- Non-isolated power stacks
- SKT 760/16
- Heatsink U3/515
- Natural cooling
- RC circuit included

Typical Applications

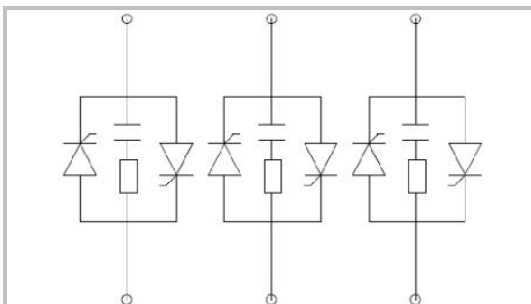
- Soft starters

Remarks

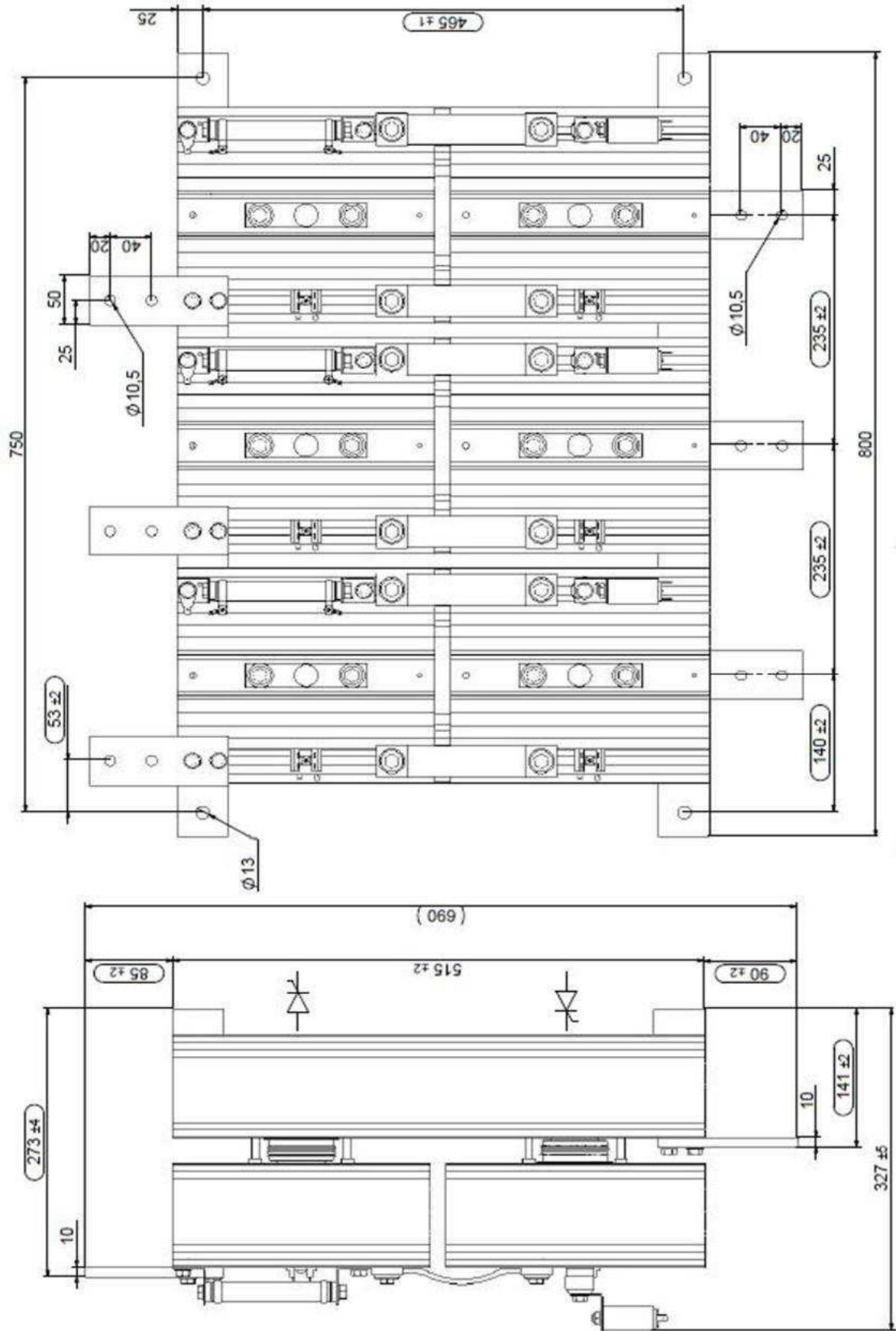
This technical information specifies semiconductor devices but promises no characteristics. No warranty or guarantee, expressed or implied, is made regarding delivery, performance or suitability.

Stack Protection

Symbol	Conditions		min	typ	max	Unit
RC Circuit						
Type	RC in parallel with each switch			-		-
R	Resistance (80W)			33		Ohm
C				0.47		μF



W3C



Dimensions

This technical information specifies semiconductor devices but promises no characteristics. No warranty or guarantee expressed or implied is made regarding delivery, performance or suitability.