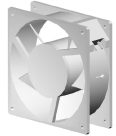
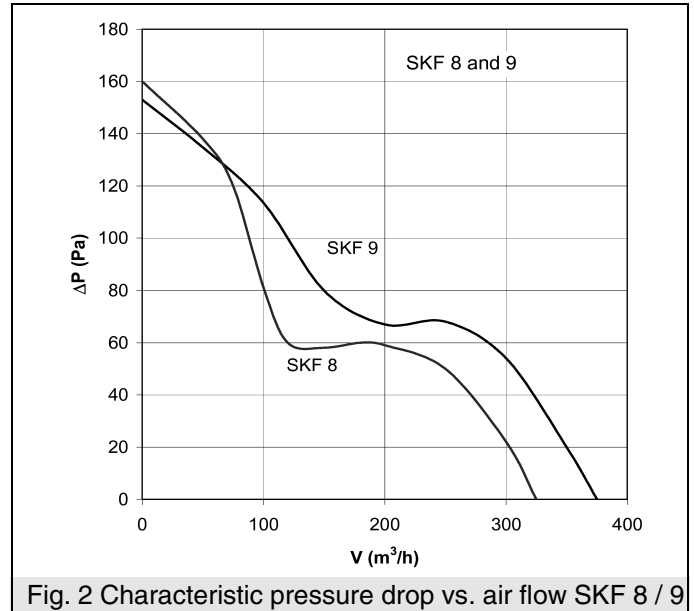
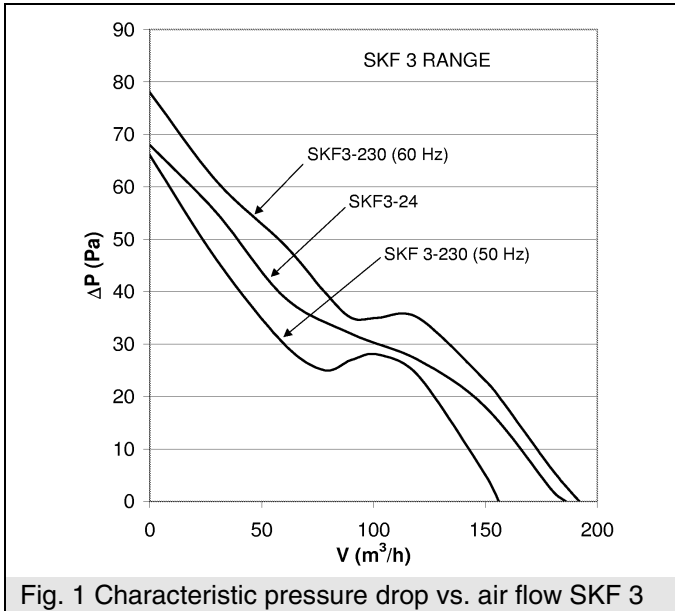


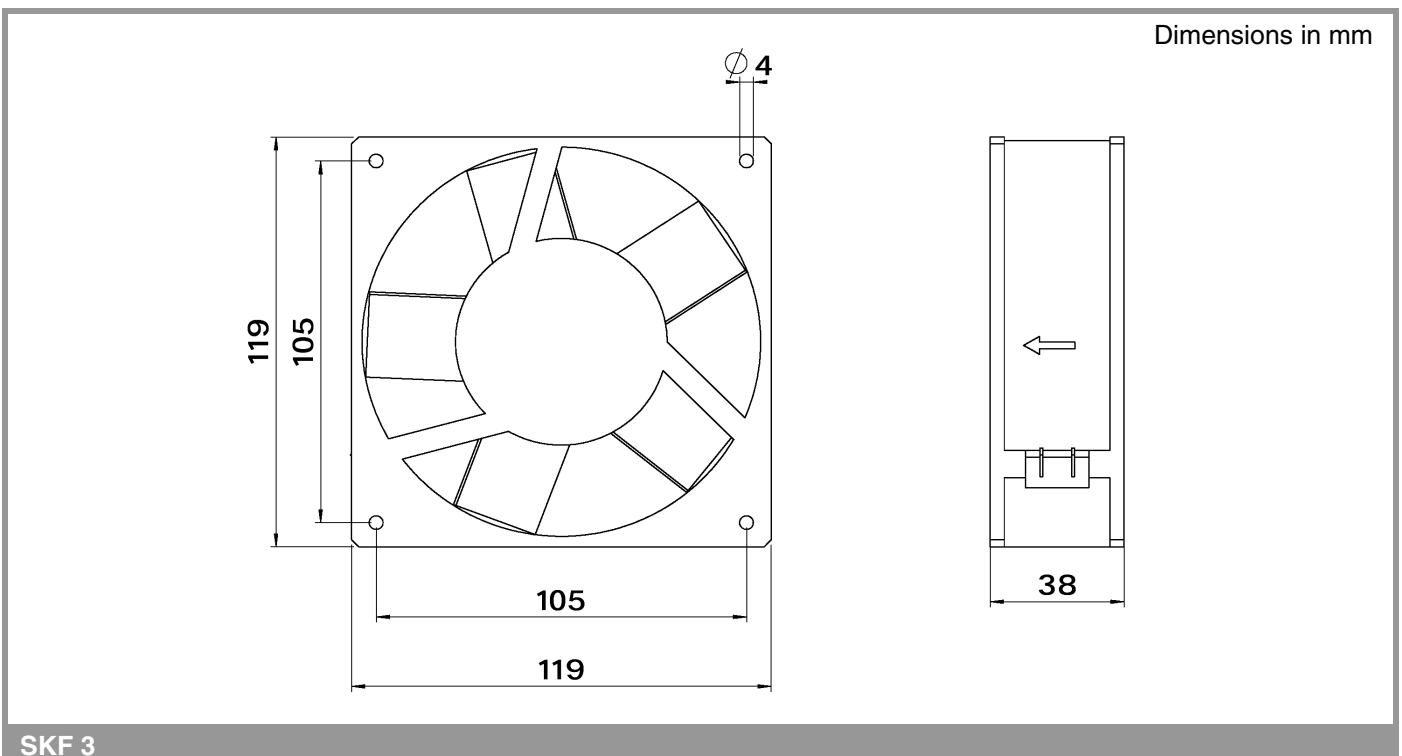
# Axial Fans

Types	Ident No.		f Hz	V <sub>1</sub> V	Max volume m <sup>3</sup> /h	P W	T <sub>amb</sub> max °C	Weight kg	Noise dB
SKF 3-230-01	30031061		50 / 60	230	159 / 190	15 / 14	70	0,55	37 / 41
SKF 3-115-01	30031110		50 / 60	115	160 / 190	15,5 / 14,5	70	0,55	37 / 41
SKF 3-24c-01	VE001030		DC	24	185	7,5	70	0,26	43
SKF 8-230-01	30145431		50	230	325	45	50	1,1	48
SKF 9-230-01	30142395		50	230	375	24	70	1	54



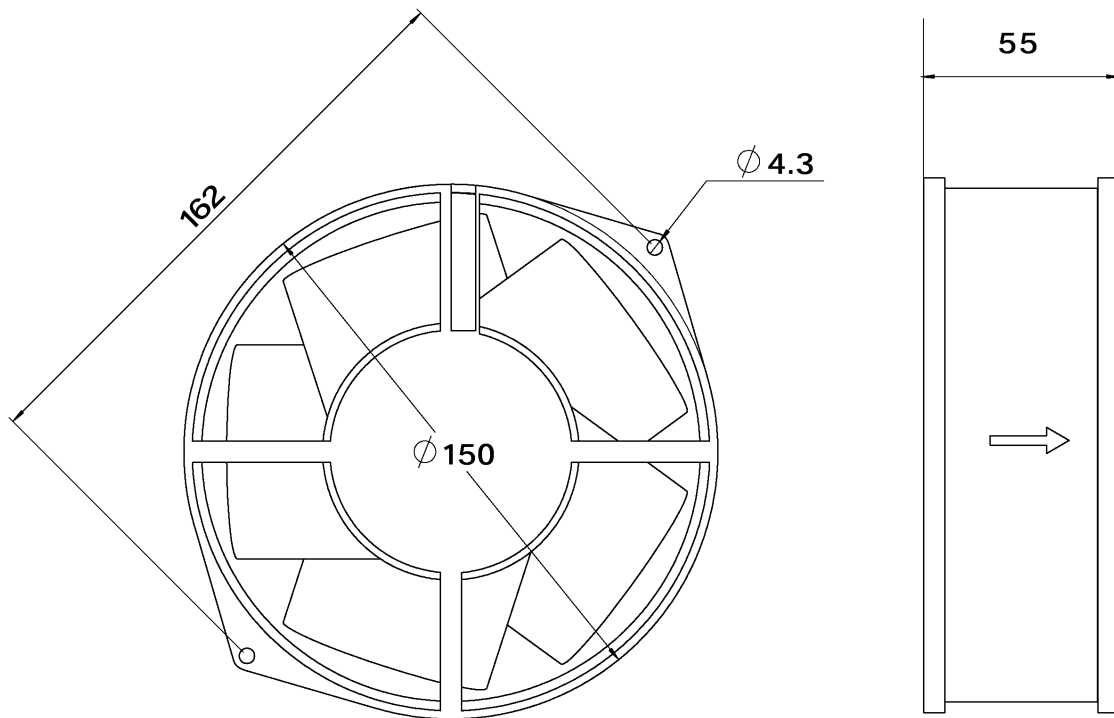
## Features

- Can be used in both directions (extraction or blowing)
- Thermal contact protection (SKF 8 and SKF 9)
- Metal Casing



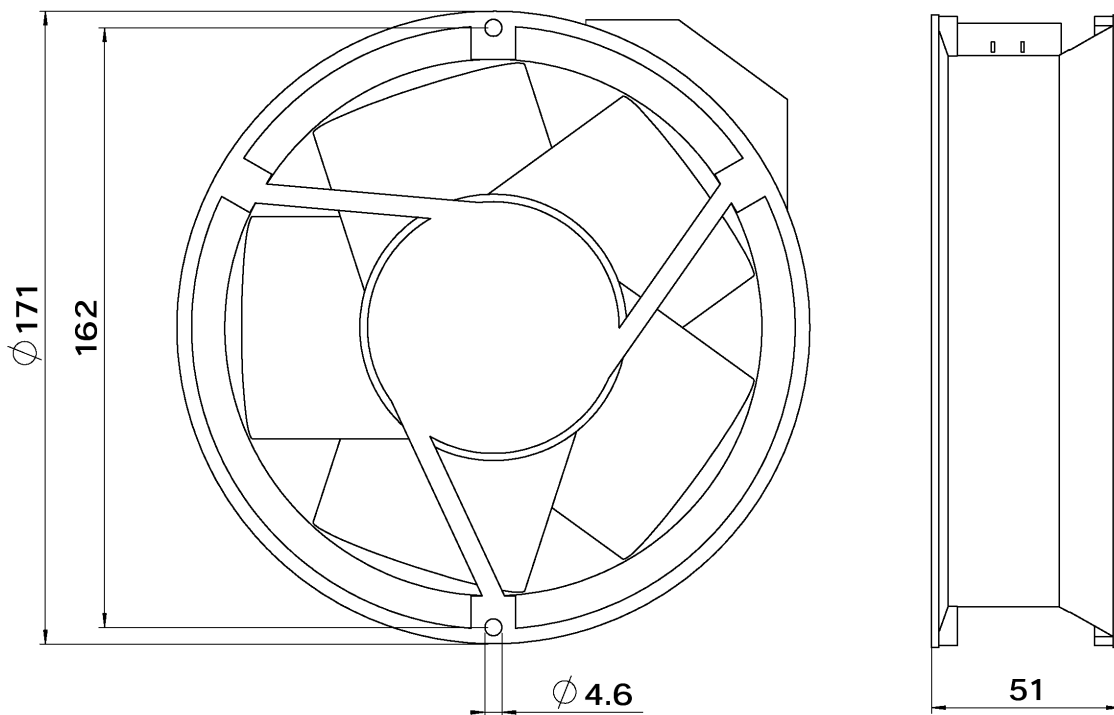
# Axial Fans

Dimensions in mm



SKF 8

Dimensions in mm



SKF 9